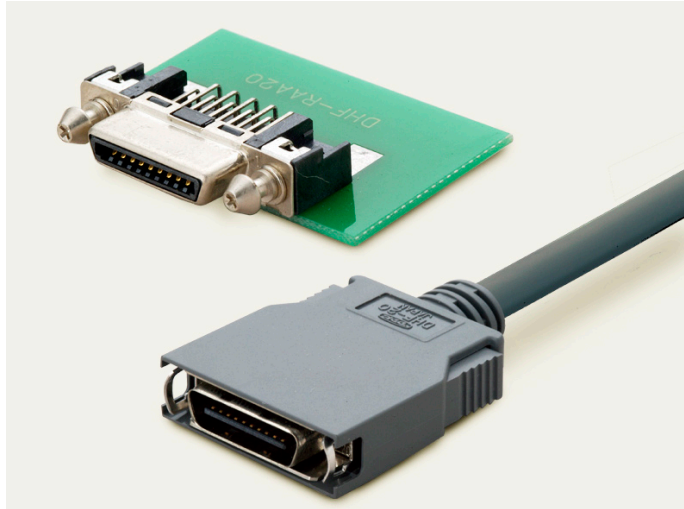


# Half Pitch Low Profile Connectors

## DHF Series

DDK Ltd.



### OUTLINE

DHF series is a half pitch interface connector which is low profile EMI shielded for small and high density applications.

### FEATURE

- Low profile, 3mm thinner than DHA series connector
- "D" shaped shell polarization to prevent from mis-mating.
- High reliable, scoop-proof cantilever contact design
- Plastic hood with inner shell for ESD protection
- One touch locking mechanism
- Easy termination by assembly tools

### SPECIFICATIONS

|                                 |  |
|---------------------------------|--|
| Rated Voltage                   | 250V AC(r.m.s.)                              |
| Rated Current                   | 0.5A / Contact                               |
| Dielectric Withstanding Voltage | 500V AC(r.m.s.) at 1 minute                  |
| Insulation Resistance           | 500M $\Omega$ min. at 500V DC                |
| Contact Resistance              | 35m $\Omega$ max.                            |
| Applicable Cable                | AWG#28, 7/0.127 Stranded Cable $\phi$ 0.58mm |

### MATERIAL / FINISH

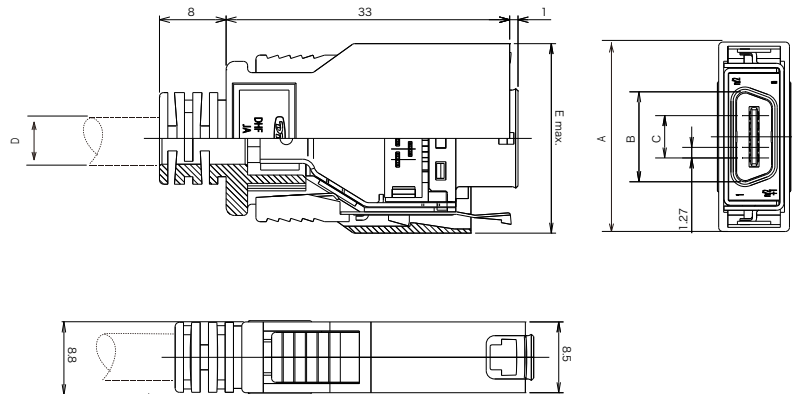
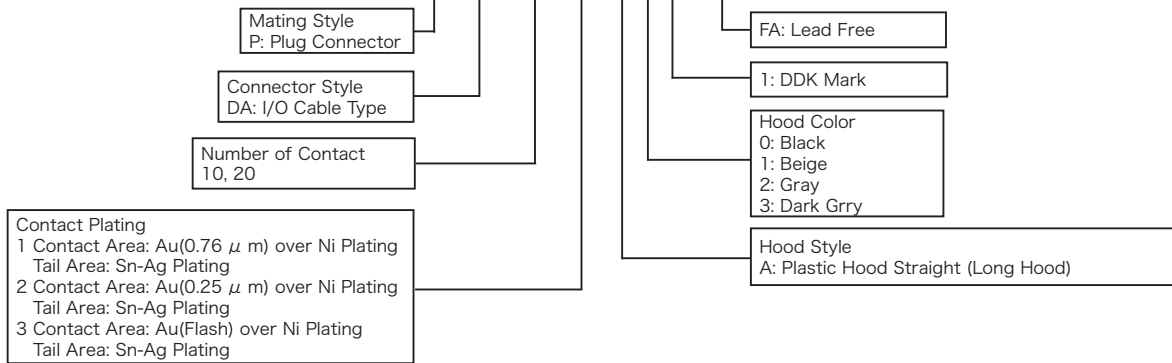


| Item               | Material / Finish                    |
|--------------------|--------------------------------------|
| Contact            | Copper Alloy / Au Plating            |
| Front Shell        | Brass / Ni Plating                   |
| Insulator          | LCP Resin or Polyamide Resin / Black |
| Cover              | Polyamide Resin / Black              |
| Inner Shell        | Steel / Ni Plating                   |
| Hood               | ABS Resin                            |
| Lock Lever         | Stainless Steel + ABS Resin          |
| Cable Clamp        | Steel / Sn-Ag Plating                |
| Locator            | PBT Resin or LCP Resin / Black       |
| Ground Tab         | Copper Alloy / Ni Plating            |
| Lock Screw and Nut | Steel / Ni Plating                   |

© Specifications and/or dimensions in this catalogue are subject to change without notice.  
Your catalogue checking the latest specifications with our drawings would be highly appreciated.

I/O Cable Plug Connector (Hood)

DHF-PDA10-3-A01-FA



| Part Number          | Number of Contact | A     | B     | C     | D   | E (max.) |
|----------------------|-------------------|-------|-------|-------|-----|----------|
| DHF-PDA10-□-A □ 1-FA | 10                | 22.75 | 10.80 | 5.08  | 5.0 | 23.75    |
| DHF-PDA20-□-A □ 1-FA | 20                | 29.10 | 17.15 | 11.43 | 5.8 | 30.10    |

Assembly Tools

| Assembly Tool                        | Part Number  | Item  | Part Number  |
|--------------------------------------|--|---|--------------|
| DHF-HP □□ -D □□<br>Assembly Tool Set | 357J-12463-□□<br>□ : Number of Contact<br>(ex.) 10 contacts<br>357J-12463-10 | DHF-PDA Cable Wiring and Cable Cutting Tool | 357J-12224   |
|                                      |  | DHF Termination Tool                        | 357J-12198   |
|                                      |  | DHF Cable Clamp Assembly Tool Set           | 357J-12773   |
|                                      |  | DHF Cable Clamp Assembly Tool               | 357J-12199   |
|                                      |  | DHF Cable Clamp Locator                     | 357J-12228-□ |

※ Please refer the instruction manual as attached with DHF assembly tool set.

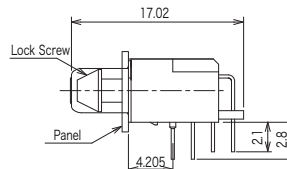
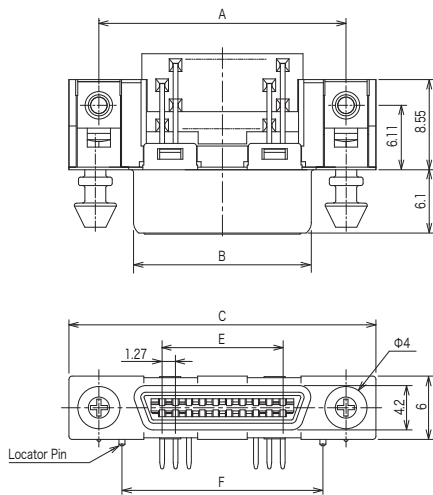
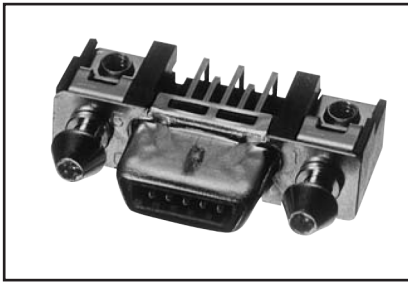
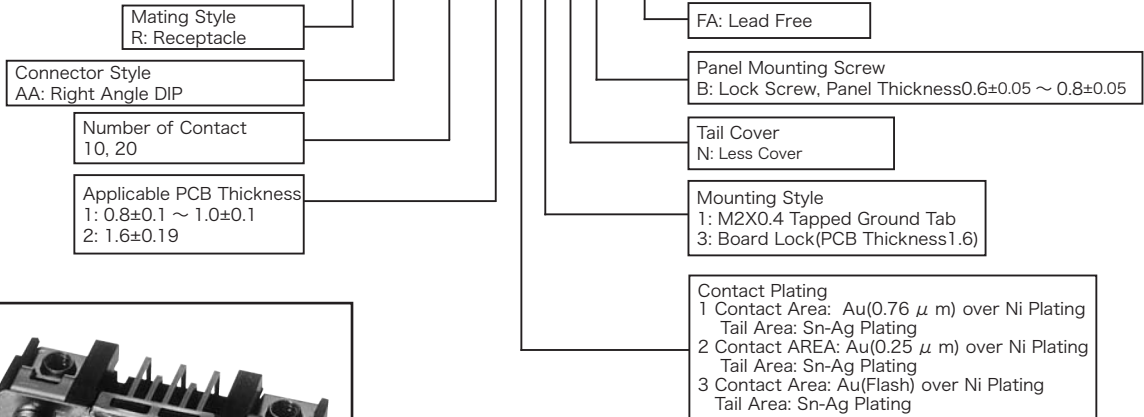
| DHF Cable Calmp Assembly Tool Set | DHF Cable Clamp Assembly Tool | DHF Cable Clamp Locator |
|-----------------------------------|-------------------------------|-------------------------|
| for DHF-PDA10,20                  | 357J-12773                    | 357J-12228-1, -2        |
| for DHF-PDA10                     | 357J-12773-10                 | 357J-12228-1            |
| for DHF-PDA20                     | 357J-12773-20                 | 357J-12228-2            |

※ DHF cable calmp assembly tools are used depend on the number of contact. Please refer to the above table.

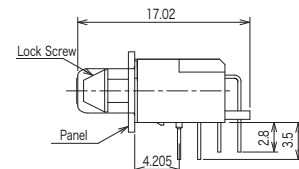
© Specifications and/or dimenssions in this catalogue are subject to change without notice.  
Your catalogue checking the latest specifications with our drawings would be highly appreciated.

▶ Right Angle Receptacle

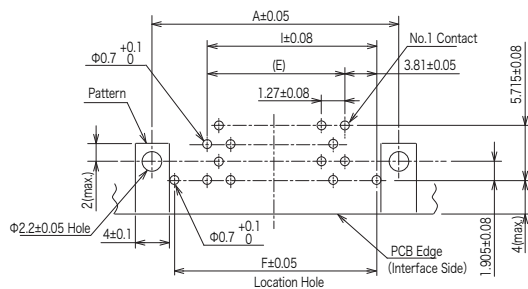
### DHF-RAA10-131NB-FA



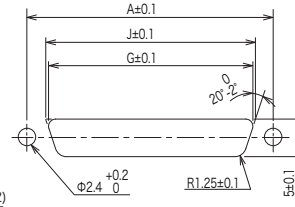
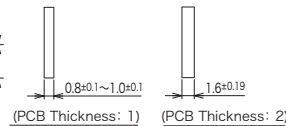
DHF-RAA□□-1□□NB-FA



DHF-RAA□□-2□□NB-FA



PCB Mounting Dimensions  
(View from Mounting Side)



Panel Cut-out Dimensions  
(Panel Thickness: 0.7±0.15)

| Part Number        | Number of Contact | A     | B     | C     | E     | F     | G     | I     | J     |
|--------------------|-------------------|-------|-------|-------|-------|-------|-------|-------|-------|
| DHF-RAA10-□□□NB-FA | 10                | 17.08 | 10.50 | 22.75 | 5.08  | 12.70 | 11.60 | 8.89  | 12.67 |
| DHF-RAA20-□□□NB-FA | 20                | 23.43 | 16.85 | 29.10 | 11.43 | 19.05 | 17.95 | 15.24 | 19.02 |

© Specifications and/or dimensions in this catalogue are subject to change without notice.  
Your catalogue checking the latest specifications with our drawings would be highly appreciated.